

# 0535 SERIES



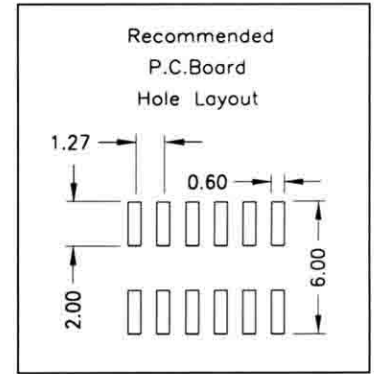
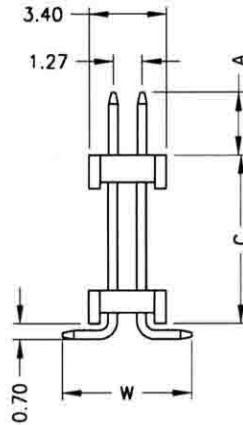
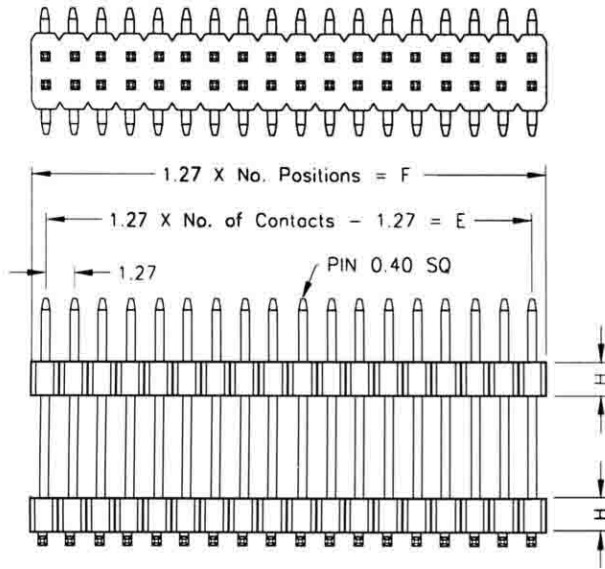
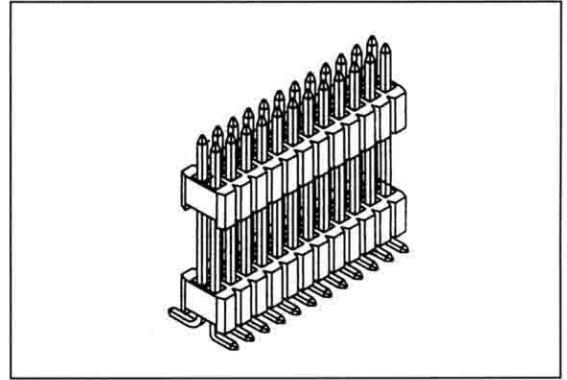
1.27x1.27mm(0.05"x0.05"), 0.4mm Square Pin, Board Spacer, Dual Row, SMT

### Specifications

Current Rating: 1Ampere  
 Insulation Resistance: 500MΩ Min.  
 Dielectric Withstanding: 300V AC  
 Contact Resistance: 20mΩ Max.  
 Operating Temperature: -40°C to +105°C

### Materials

Contact Material: Phosphor Bronze  
 Contact Plating: Gold/Tin over Nickel  
 Insulator: Glass Filled Polyester (UL 94V-0)



No. of Pins/Row	Dimension Information		No. of Pins/Row	Dimension Information		No. of Pins/Row	Dimension Information		No. of Pins/Row	Dimension Information	
	E	F		E	F		E	F		E	F
03	2.54	3.81	10	11.43	12.70	17	20.32	21.59	24	29.21	30.48
04	3.81	5.08	11	12.70	13.97	18	21.59	22.86	25	30.48	31.75
05	5.08	6.35	12	13.97	15.24	19	22.86	24.13	26	31.75	33.02
06	6.35	7.62	13	15.24	16.51	20	24.13	25.40	27	33.02	34.29
07	7.62	8.89	14	16.51	17.78	21	25.40	26.67	28	34.29	35.56
08	8.89	10.16	15	17.78	19.05	22	26.67	27.94	29	35.56	36.83
09	10.16	11.43	16	19.05	20.32	23	27.94	29.21	30	36.83	38.10

## Ordering Information

0535 - X                      X X                      -                      X X 0

1: Tin                              00: H=1.0mm                      Position

2: Gold                            01: H=1.5mm

3: Half Gold                      02: H=1.7mm

    03: H=2.0mm

A/C/W: Custom Length Available.